

**PLEASE CHECK WWW.MOLEX.COM FOR LATEST PART INFORMATION**

**Part Number:** [0536490374](#)  
**Status:** **Active**  
**Overview:** [slimstack\\_0635mm\\_025\\_pitch](#)  
**Description:** 0.635mm (.025") Pitch SlimStack™ Plug, Surface Mount, Dual Row, Vertical Stacking, 9.00 and 15.00mm (.354 and .591") Stacking Heights, Lead-free, 30 Circuits, with Embossed Tape with Cover Packaging

**Documents:**

[3D Model](#) [Product Specification PS-52760-015 \(PDF\)](#)  
[Drawing \(PDF\)](#) [RoHS Certificate of Compliance \(PDF\)](#)

**General**

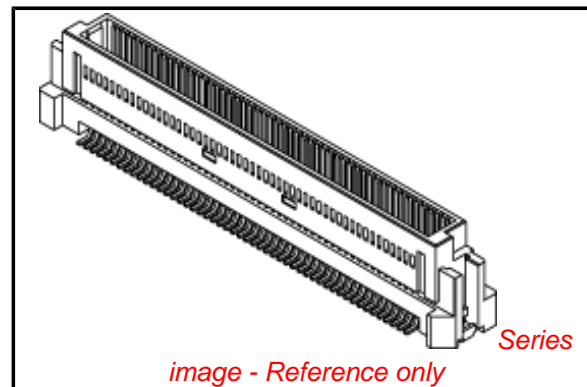
Product Family	PCB Headers
Series	<a href="#">53649</a>
Application	Board-to-Board
Comments	Stacking-Type
Overview	<a href="#">slimstack_0635mm_025_pitch</a>
Product Name	SlimStack™

**Physical**

Breakaway	No
Circuits (Loaded)	30
Circuits (maximum)	30
Color - Resin	Natural
Durability (mating cycles max)	50
First Mate / Last Break	No
Glow-Wire Compliant	No
Guide to Mating Part	No
Keying to Mating Part	None
Lock to Mating Part	Yes
Mated Height (in)	0.354 In, 0.591 In
Mated Height (mm)	15.00 mm, 9.00 mm
Material - Metal	Brass, Phosphor Bronze, Stainless Steel
Material - Plating Mating	Gold
Material - Plating Termination	Tin
Material - Resin	High Temperature Thermoplastic
Number of Rows	2
Orientation	Vertical
PCB Locator	Yes
PCB Retention	Yes
Packaging Type	Embossed Tape on Reel
Pitch - Mating Interface (in)	0.025 In
Pitch - Mating Interface (mm)	0.64 mm
Plating min: Mating (µin)	10
Plating min: Mating (µm)	0.25
Plating min: Termination (µin)	80
Plating min: Termination (µm)	2
Polarized to PCB	Yes
Robotic Placement	Metal Cap
Shrouded	Fully
Stackable	No
Temperature Range - Operating	-55°C to +85°C
Termination Interface: Style	Surface Mount

**Electrical**

Current - Maximum per Contact	0.5A
-------------------------------	------



*image - Reference only*

**EU RoHS**

**ELV and RoHS Compliant**  
**REACH SVHC**  
**Contains SVHC: No**  
**Halogen-Free**  
**Status**

**China RoHS**



**Need more information on product environmental compliance?**

Email [productcompliance@molex.com](mailto:productcompliance@molex.com)  
 For a multiple part number RoHS Certificate of Compliance, [click here](#)

Please visit the [Contact Us](#) section for any non-product compliance questions.

**Search Parts in this Series**

[53649Series](#)

**Mates With**

SlimStack™ Receptacle [52760](#) , [52837](#) , [52885](#) , [52901](#)

Voltage - Maximum

100V

**Material Info**

**Reference - Drawing Numbers**

Packaging Specification

SPK-53649-001

Product Specification

PS-52760-015, RPS-52760-017, RPS-52760-018,  
RPS-52760-020, RPS-52760-021, RPS-52760-029,  
RPS-52901-010

Sales Drawing

SD-52901-015, SD-53649-004, SD-53649-005

This document was generated on 05/26/2010

**PLEASE CHECK [WWW.MOLEX.COM](http://WWW.MOLEX.COM) FOR LATEST PART INFORMATION**

10 9 8 7 6 5 4 3 2 1

F

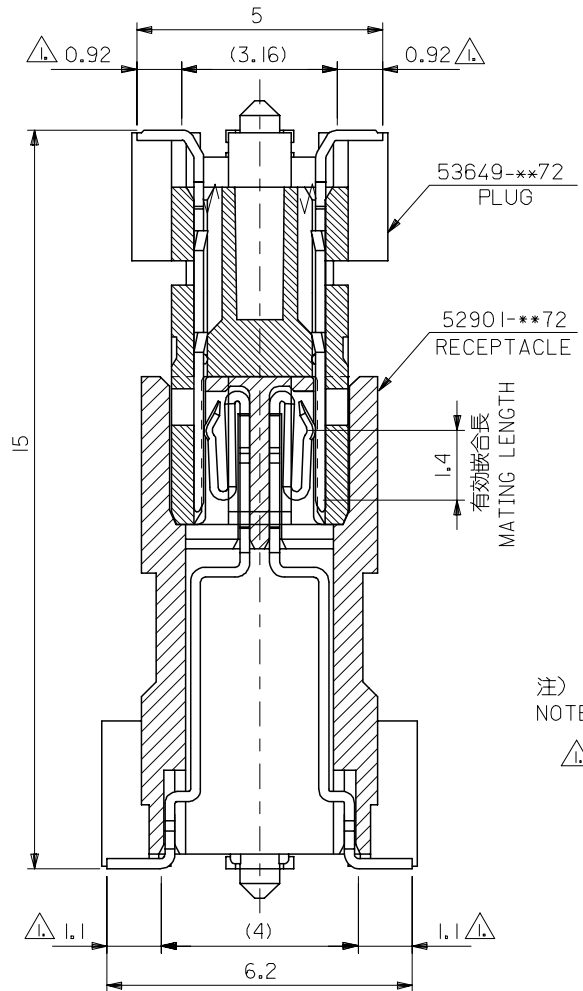
E

D

C

B

A



注)  
NOTE)

△ 基板接地長さ  
FLAT AREA

RELEASED EC NO: J2005-3798 DRW: KENSUZUKI 2005/06/20 CHK: D: NUKITA 2005/06/20 APPR: NUKITA 2005/06/23	GENERAL TOLERANCES (UNLESS SPECIFIED)		DIMENSION STYLE MM ONLY		SCALE 10:1	DESIGN UNITS METRIC	THIRD ANGLE PROJECTION	
	10 UNDER	±0.2	DRAWN BY KENSUZUKI	DATE 2005/06/20	TITLE 0.635 PITCH B TO B CONN. 52901/53649 SERIES MATING CROSS SECTION			
	10 OVER 30 UNDER	±0.25	CHECKED BY NUKITA	DATE 2005/06/20				
	30 OVER	±0.3	APPROVED BY NUKITA	DATE 2005/06/20	MOLEX INCORPORATED DOCUMENT NO. SD-52901-015 SHEET NO. 1 OF 1			
	ANGULAR	±3 °	MATERIAL NO. SEE DRAWING					
DRAFT WHERE APPLICABLE MUST REMAIN WITHIN DIMENSIONS		SIZE A3 THIS DRAWING CONTAINS INFORMATION THAT IS PROPRIETARY TO MOLEX INCORPORATED AND SHOULD NOT BE USED WITHOUT WRITTEN PERMISSION						

9

8

7

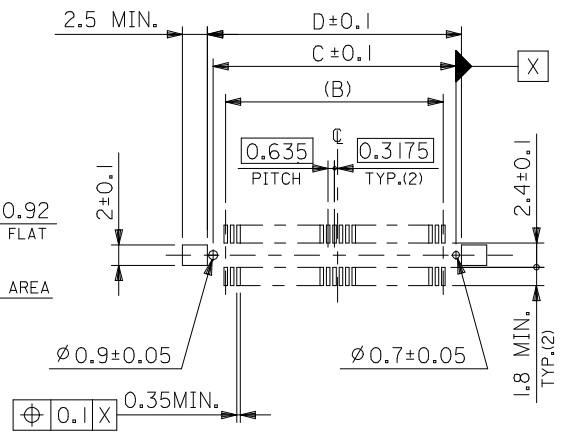
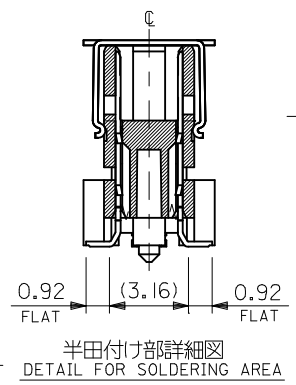
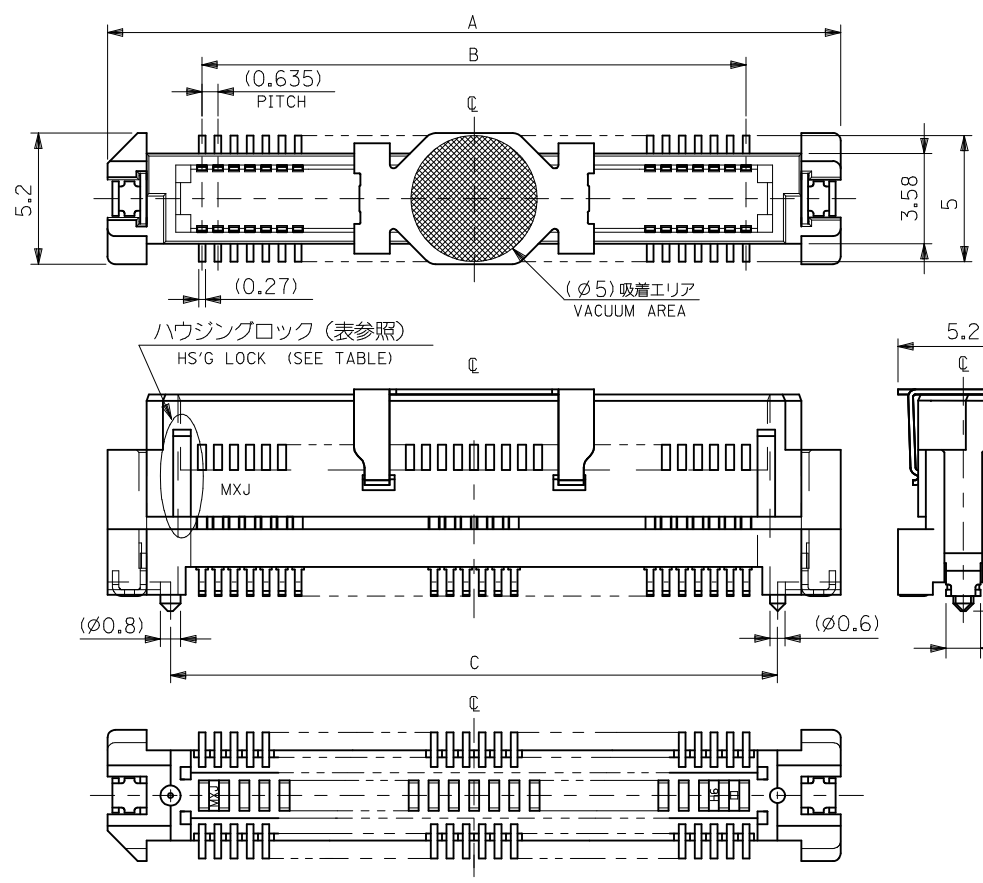
6

5

4

3

2



推奨基板寸法  
RECOMMENDED PCB PATTERN LAYOUT  
(SCALE:2-1)

注) NOTES

- 材質 MATERIAL  
ハウジング: ガラス入りPPS、茶色、UL94V-0  
HOUSING: G.F.PPS, BROWN, UL94V-0  
ターミナル: 銅合金 (t=0.2)  
TERMINAL: COPPER ALLOY  
吸着カバー: ステンレス (t=0.2)  
VACUUM COVER: STAINLESS STEEL
- メッキ仕様 PLATING  
接点部 : 金メッキ 0.25µmMIN.  
CONTACT AREA: GOLD 0.25µmMIN.  
半田付け部: 銅メッキ 1.0µmMIN.  
SOLDER TAIL AREA: TIN 1.0µmMIN.  
下地メッキ: ニッケルメッキ 1.5µmMIN.  
UNDER-PLATING: NICKEL 1.5µmMIN.
- テールのフラツキ寸法 TAIL COPLANARITY  
テール平坦度は、0.1MAX.とする。  
TAILS COPLANARITY TO BE 0.1MAX.

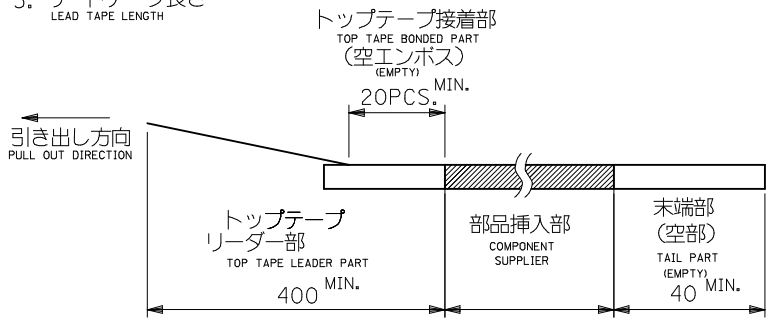
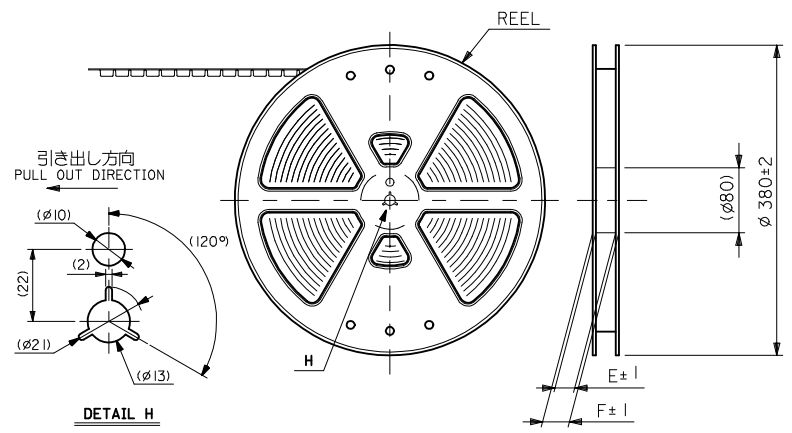
4. 本製品は 53649-\*\*\*2 の鉛フリー品である。  
THIS PRODUCT IS LEAD FREE OF 53649-\*\*\*2

	47.42	46.32	43.815	51.32	—#—	53649-1475	53649-1472	140
無し NO	34.72	33.62	31.115	38.62	53649-1074	53649-1072	53649-1072	100
	28.37	27.27	24.765	32.27	53649-0874	53649-0875	53649-0872	80
有り YES	22.02	20.92	18.415	25.92	53649-0674	53649-0675	53649-0672	60
	15.67	14.57	12.065	19.57	53649-0474	53649-0475	53649-0472	40
	12.5	11.4	8.89	16.4	53649-0374	53649-0375	53649-0372	30
ハウジング HS'G LOCK	D	C	B	A	エンボス梱包 EMBOSSED PACKAGING	スティック梱包 STICK PACKAGING	製品番号 MATERIAL NO.	極数 CKT. NO.
							MODEL NO. 53649-***72	

REVISED EC NO: J2009-0280 DRWN: MAKURAA 2008/08/01 CHKD: T. HARIYAMA 2008/08/01 APPR: NUKITA 2008/12/19	GENERAL TOLERANCES (UNLESS SPECIFIED)		DIMENSION STYLE MM ONLY	SCALE ---	DESIGN UNITS METRIC	THIRD ANGLE PROJECTION	
	10 UNDER	±0.2	DRAWN BY M. NABEI	DATE '04/02/25	TITLE 0.635 B/B CONN. PLUG HS'G COVER ASS'Y -LEAD FREE-		
	10 OVER 30 UNDER	±0.25	CHECKED BY K. TOJO	DATE '04/02/25	MOLEX INCORPORATED		
	30 OVER	±0.3	APPROVED BY M. SASAO	DATE '04/02/25	DOCUMENT NO. SD-53649-004	SHEET NO. 1 OF 1	
REV	DESCRIPTION	ANGULAR ±3 °	MATERIAL NO. SEE CHART	THIS DRAWING CONTAINS INFORMATION THAT IS PROPRIETARY TO MOLEX INCORPORATED AND SHOULD NOT BE USED WITHOUT WRITTEN PERMISSION			
		DRAFT WHERE APPLICABLE MUST REMAIN WITHIN DIMENSIONS	SIZE A3				

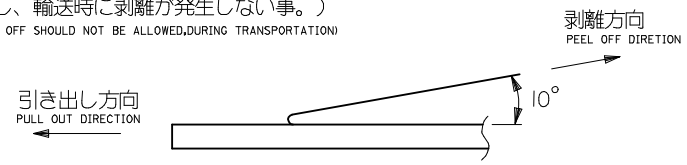
注)  
NOTES

- 製品番号 53649-\*\*\*72の詳細寸法については、SD-53649-004 を参照下さい。  
IN THE PACKAGE , PART NO. 53649-\*\*\*72 DETAILED DIMENSIONS , SEE SD-53649-004
- 梱包数量 : 760 個/リール  
NUMBER OF CONNECTORS : 760 PCS/REEL
- リードテープ長さ  
LEAD TAPE LENGTH



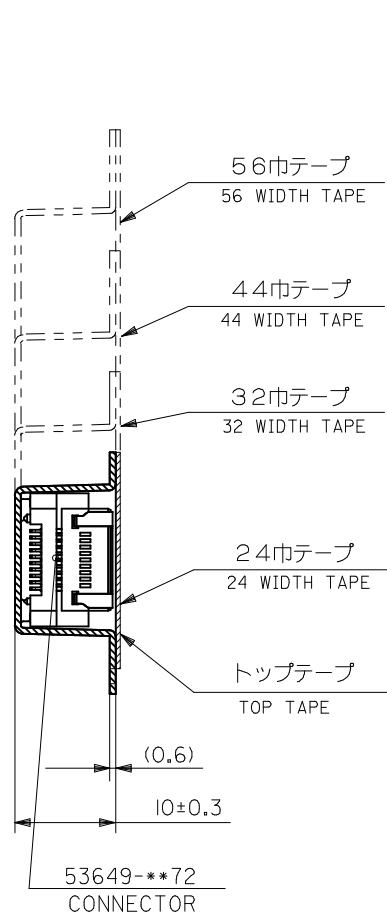
- トップテープの剥離強度 (剥離方向は下図参照)  
PEELING OFF FORCE OF TOP TAPE (PEELING DIRECTION AS SHOWN IN FOLLOWING FIG.)  
0. 1~1. 3N {10~130gf}

尚、本規格値は、出荷時に適用。  
THIS REQUIREMENT SHOULD BE APPLIED AT SHIPMENT  
(但し、輸送時に剥離が発生しない事。)  
(PEEL OFF SHOULD NOT BE ALLOWED, DURING TRANSPORTATION)

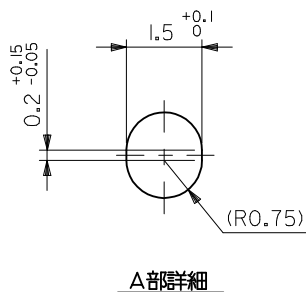
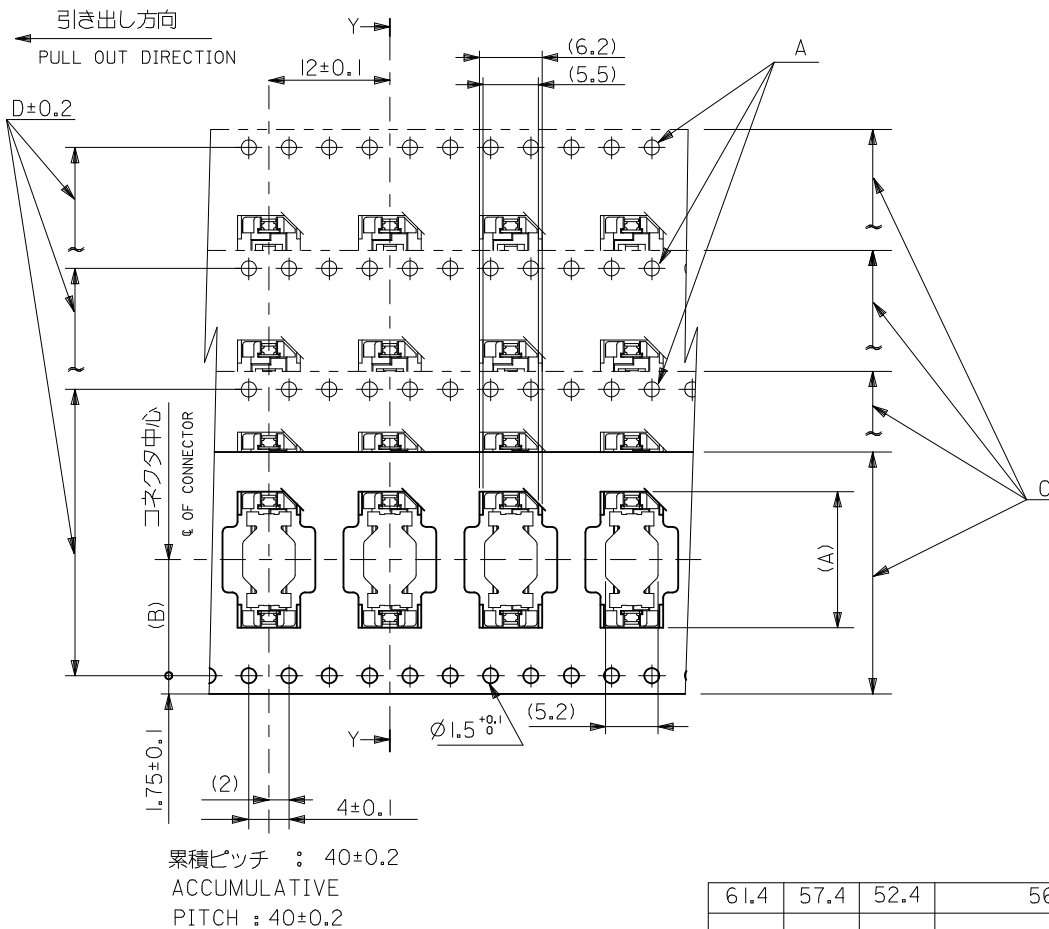


- 材料  
MATERIAL  
キャリアテープ : ポリプロピレン (PP)  
CARRIER TAPE : POLYPROPYLENE (PP)  
トップテープ : PET, PE, PEF  
TOP TAPE : PET, PE, PEF  
リール : 紙  
REEL : CARD BOARD
- 本製品は 53649-\*\*\*4 の鉛フリー品である。  
THIS PRODUCT IS LEAD FREE OF 53649-\*\*\*4

REVISED EC NO. : J2009-0280 DRWN:NAKAMURA 2008/08/01 CHKD:T. HARUYAMA 2008/08/01 APPR:NUKITA 2008/12/19	DESCRIPTION REV	GENERAL TOLERANCES (UNLESS SPECIFIED)		DIMENSION STYLE MM ONLY		SCALE ---	DESIGN UNITS METRIC	THIRD ANGLE PROJECTION		
		10 UNDER	± ---	DRAWN BY M. NABEI	DATE '04/02/25	TITLE EMBOSSSED TAPE PACKAGE FOR 53649-***72 -LEAD FREE-				
		10 OVER 30 UNDER	± ---	CHECKED BY K. TOJO	DATE '04/02/25	MOLEX MOLEX INCORPORATED				
		30 OVER	± ---	APPROVED BY M. SASAO	DATE '04/2/25	DOCUMENT NO. SD-53649-005				
ANGULAR ± --- °		DRAFT WHERE APPLICABLE MUST REMAIN WITHIN DIMENSIONS		MATERIAL NO. SEE SHEET 2 OF 2		SHEET NO. 1 OF 2				
				SIZE A3		THIS DRAWING CONTAINS INFORMATION THAT IS PROPRIETARY TO MOLEX INCORPORATED AND SHOULD NOT BE USED WITHOUT WRITTEN PERMISSION				



断面 Y-Y  
SECTION Y-Y



61.4	57.4	52.4	56 <sup>+0.3</sup>	26.2	38.9	53649-1074	100
49.4	45.4	40.4	44 <sup>+0.3</sup>	20.2	32.6	53649-0874	80
37.4	33.4	28.4	32 <sup>+0.3</sup>	14.2	26.2	53649-0674	60
29.4	25.4	#	24 <sup>+0.3</sup>	11.5	19.9	53649-0407	40
F	E	D	C	(B)	(A)	MATERIAL NO.	極数 NO. OF CXTS.
						MODEL NO.	53649-**-74

REVISED EC NO: J2009-0280 DRWN: MAKURAA 2008/08/01 CHKD: T. HARUYAMA 2008/08/01 APPR: NUKITA 2008/12/19	GENERAL TOLERANCES (UNLESS SPECIFIED)		DIMENSION STYLE MM ONLY		SCALE ---	DESIGN UNITS METRIC		THIRD ANGLE PROJECTION	
	10 UNDER	± ---	DRAWN BY M. NABEI	DATE '04/02/25	TITLE EMBOSSED TAPE PACKAGE FOR 53649-**-72 -LEAD FREE-				
	10 OVER 30 UNDER	± ---	CHECKED BY K. TOJO	DATE '04/02/25	APPROVED BY M. SASAO '04/02/25				
	30 OVER	± ---	MATERIAL NO.	SEE CHART	DOCUMENT NO. SD-53649-005		SHEET NO. 2 OF 2		
ANGULAR ± --- °		DRAFT WHERE APPLICABLE MUST REMAIN WITHIN DIMENSIONS		THIS DRAWING CONTAINS INFORMATION THAT IS PROPRIETARY TO MOLEX INCORPORATED AND SHOULD NOT BE USED WITHOUT WRITTEN PERMISSION					